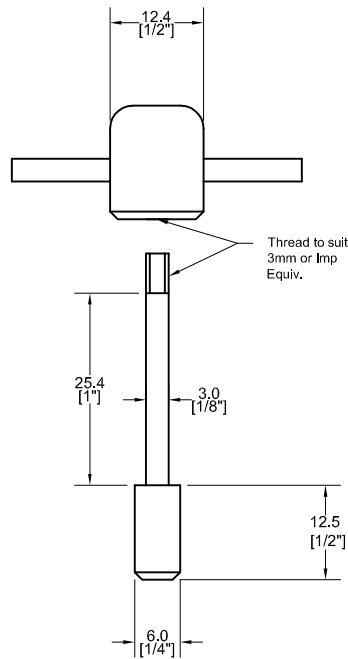
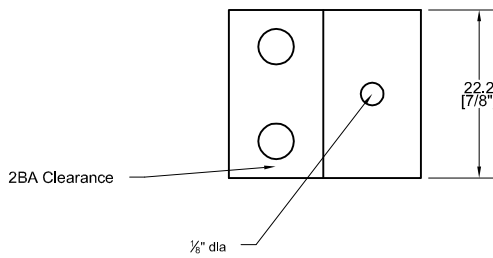
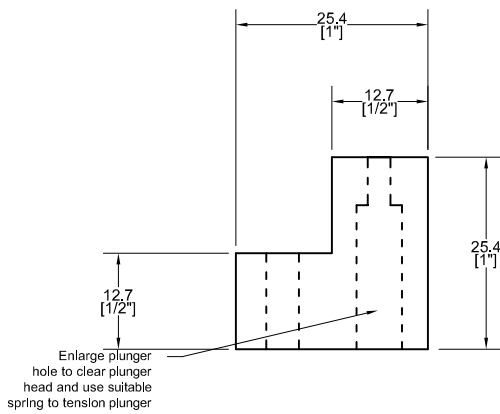


## Raising Block 2 off MStl or Aluminium



## Index Block & Plunger 2 off MStl

## Sheet 2 Raising Blocks